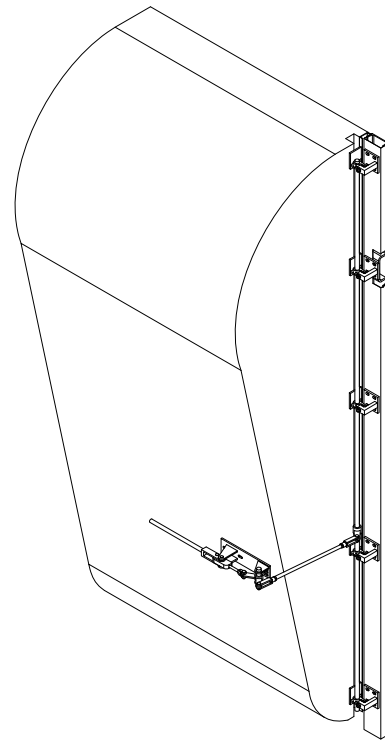
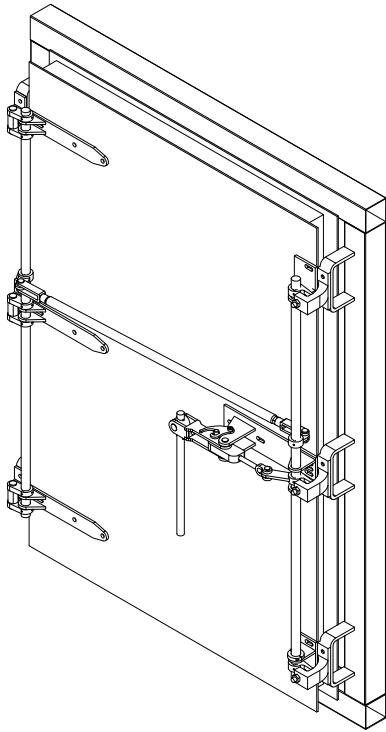


Dryer Doors and Latches



Efficient

The floating skin door design allows for independent thermal expansion of the inner and outer surfaces, eliminating air leakage caused by warping. Thick 5" rock wool insulated doors minimize heat loss through the enclosure.

Versatile

The latch system can be retrofitted to existing doors and plenums.

The doors are easily adapted to different types of dryer constructions.

Easy to Maintain

The pull away door hinge evenly compresses the door seal when opening and closing the door, significantly reducing door seal maintenance. Stainless steel door skins are corrosion resistant and paint free.

Easy to Install

In many cases, our latch system bolts directly to existing hinge and latch mounting points. We furnish comprehensive installation instructions and technical support to assure the doors and latches are installed correctly.

Neumann Process Control, Inc.

Telephone (541) 461-6944

Fax (541) 461-6974

72 W. Broadway, Ste. 201 Eugene, OR 97401

USA

www.neumannpc.com